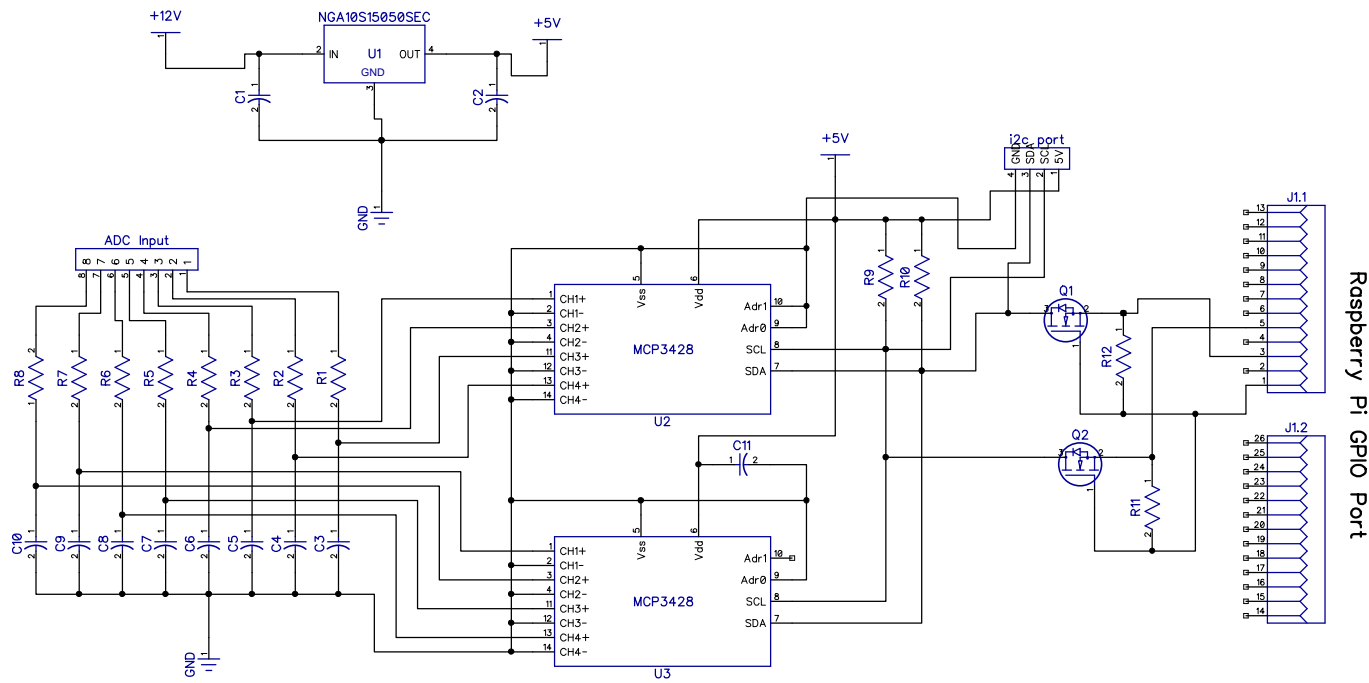


# Raspberry Pi ADC and Power Board



RefDes	Value
C1	100uF 50V
C2	100uF 16V
C3	100nf
C4	100nf
C5	100nf
C6	100nf
C7	100nf
C8	100nf
C9	100nf
C10	100nf
C11	10nf
J1	IDC 2x13
Q1	BSN20
Q2	BSN20
R1	10K
R2	10K
R3	10K
R4	10K
R5	10K
R6	10K
R7	10K
R8	10K
R9	10K
R10	10K
R11	10K
R12	10K
U1	NGA10S15050SEC
U2	MCP3428
U3	MCP3428